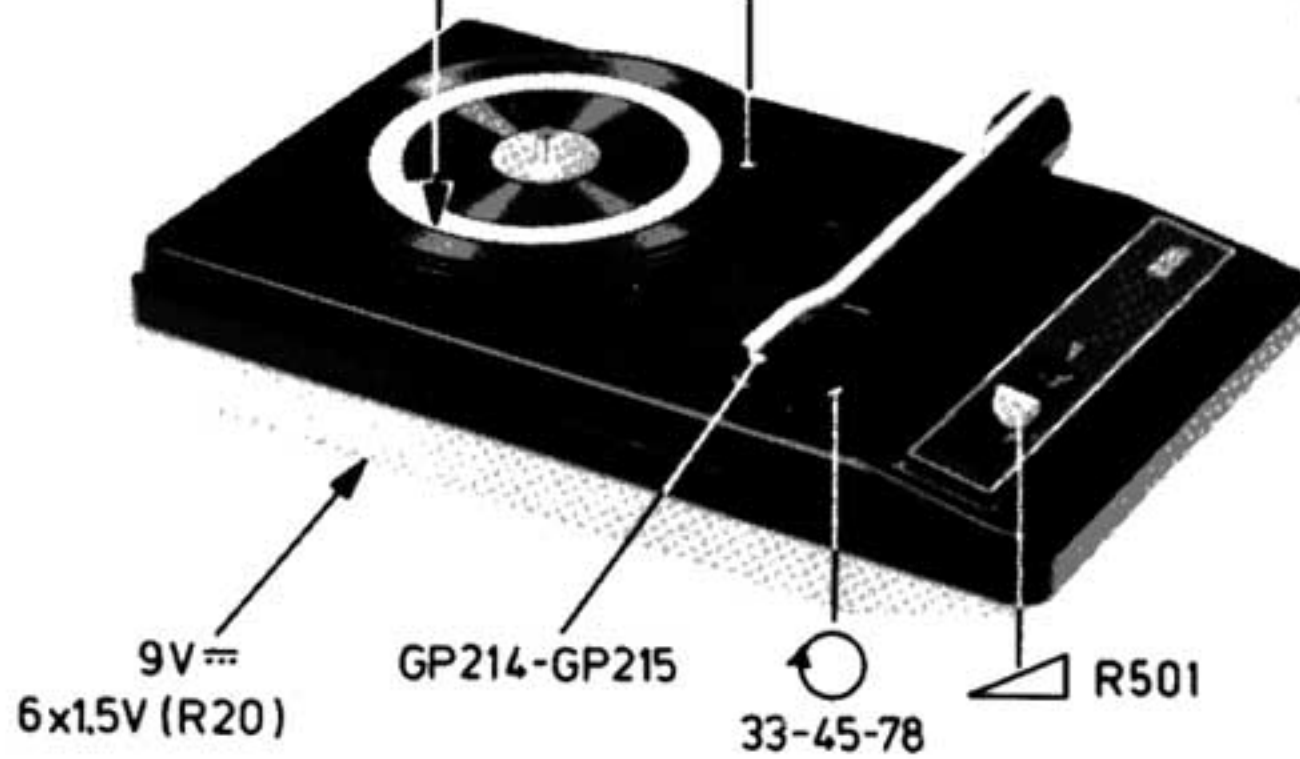


Service
Service
Service

Service Manual

110-127-220-240V
50/60Hz
P=35W

RECORD PLAYER
22 GC 023/90



Safety regulations require that the set be restored to its original condition and that parts which are identical with those specified, be used.

Documentation Technique Service Dokumentation Documentazione di Servizio Huolto-Ohje Manual de Servicio Manual de Servicio

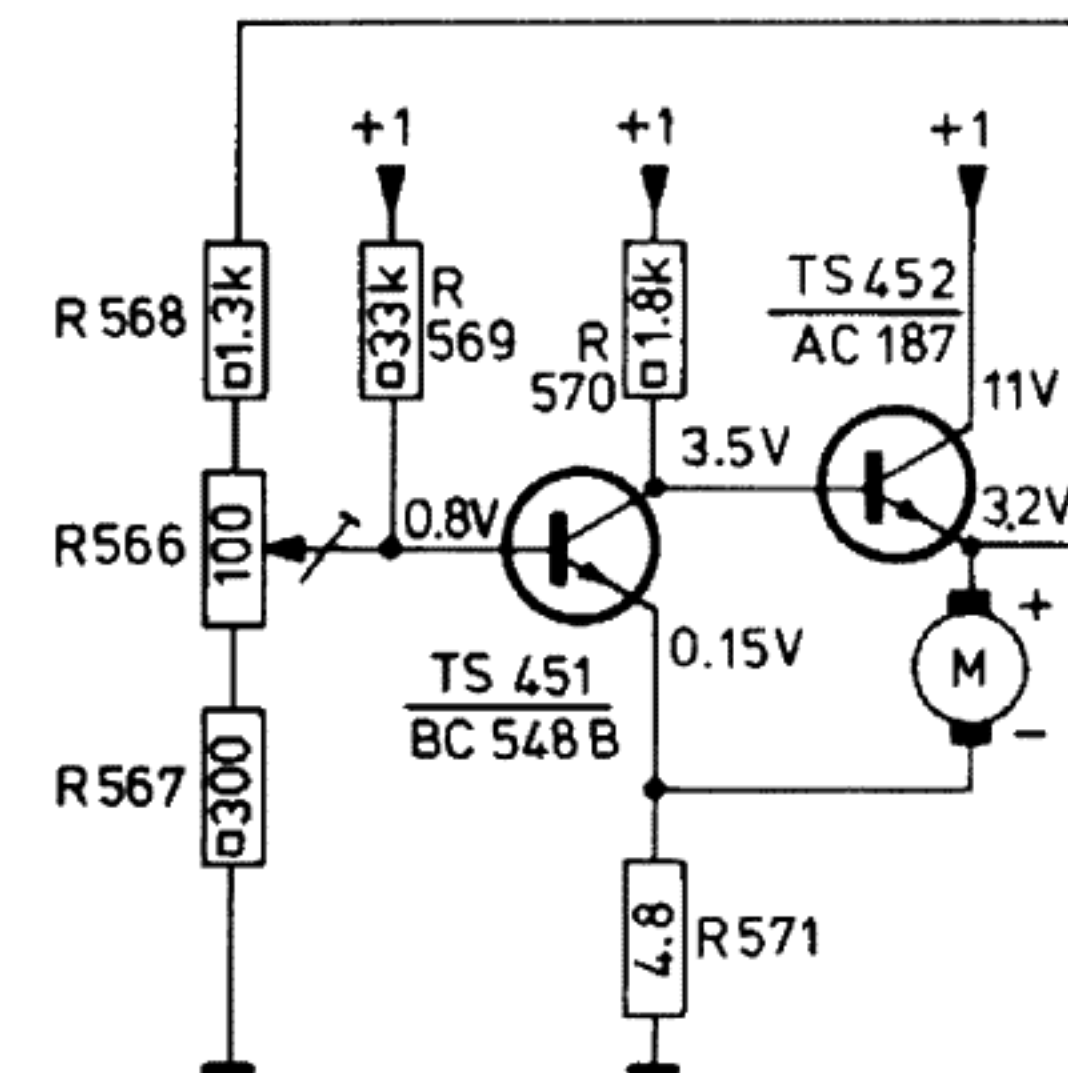
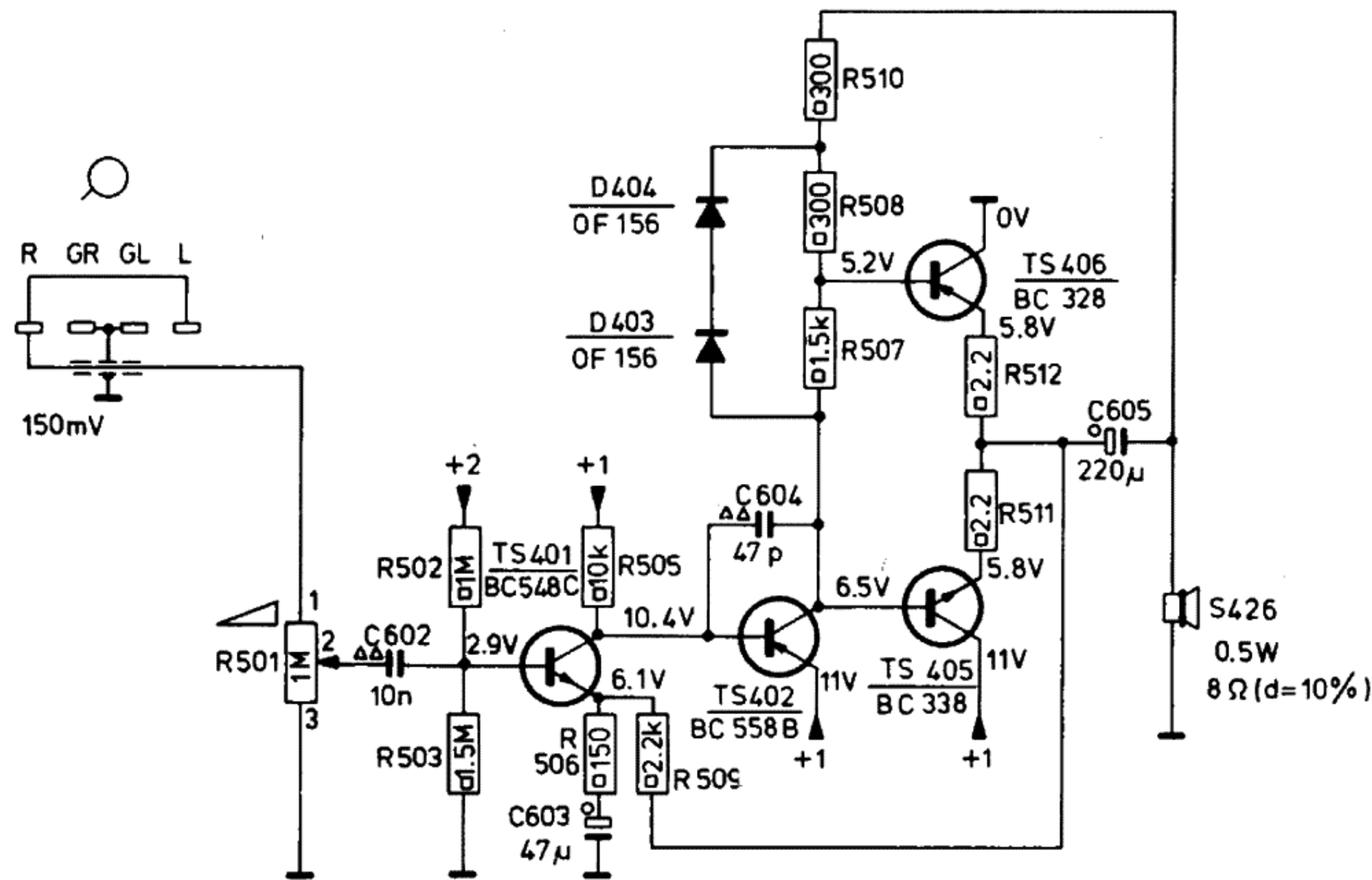


Subject to modification
4822 276 11582
Printed in The Netherlands

PHILIPS

CS53707

MISC	TS401 D403,404 TS402					TS405,406		S426	D474 ÷ 476 SK-2 TS451 T468					TS452 M F462	SK-1
C	602	603	604			605			601	681					
R	501	502 503	506 505 509	507 508 510	511 512				504	566 ÷ 568	569	570 571			



CONNECTION VOLTAGE ADAPTER		
110V	1-2	6-7
127V	3-4	8-9
220V	4-5	9-10
240V	2-3	7-8

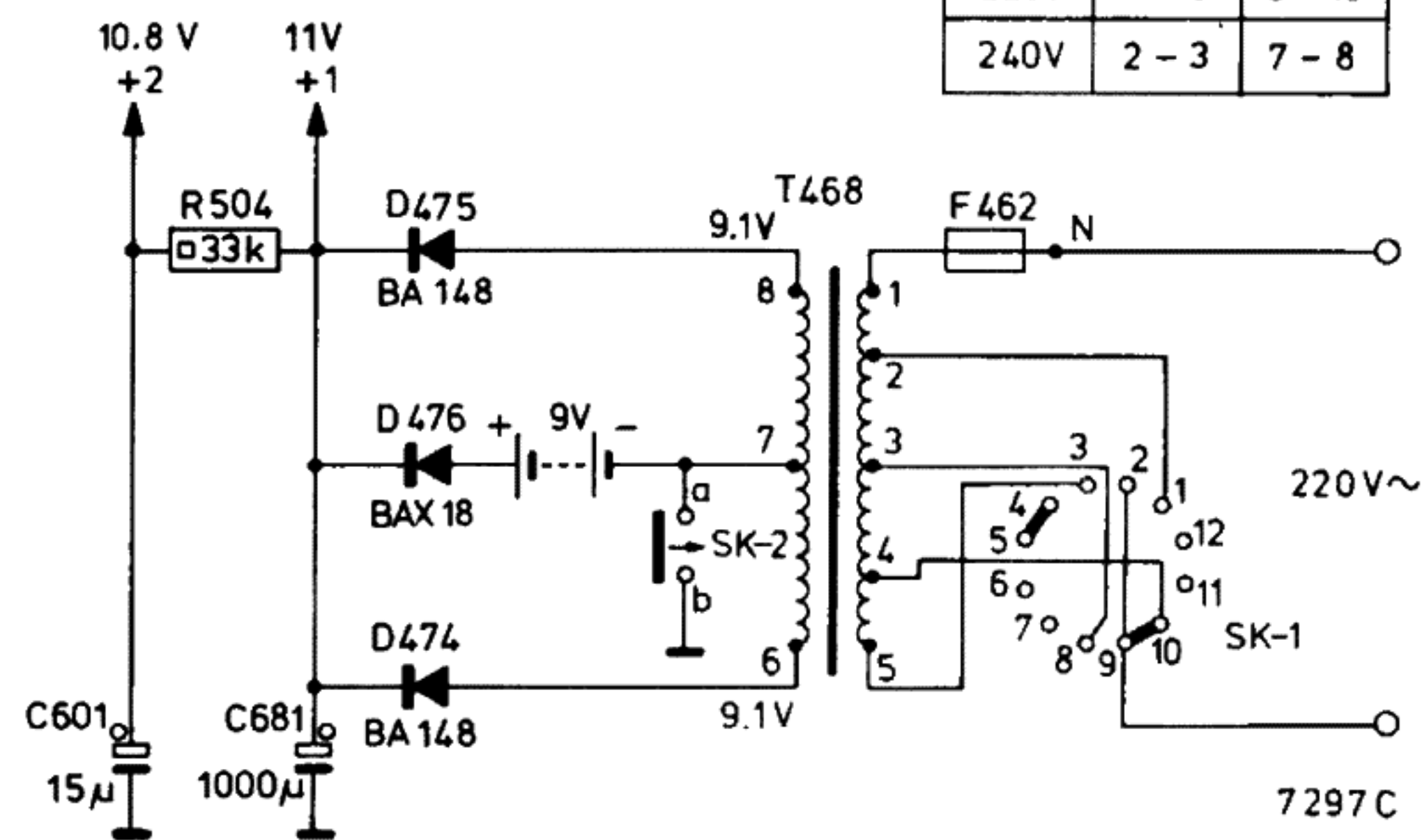
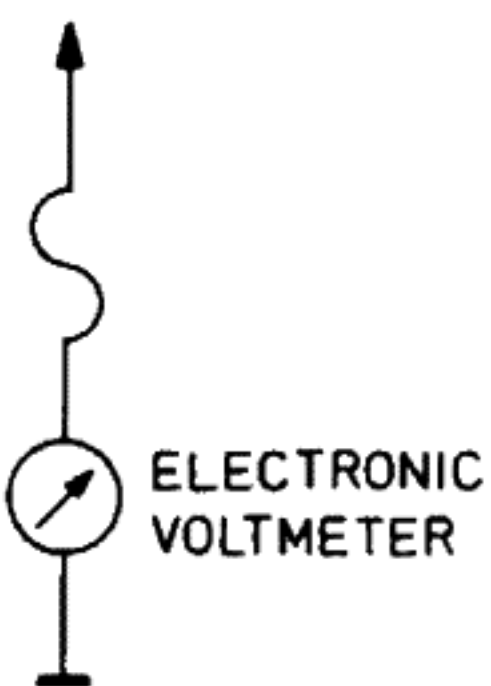
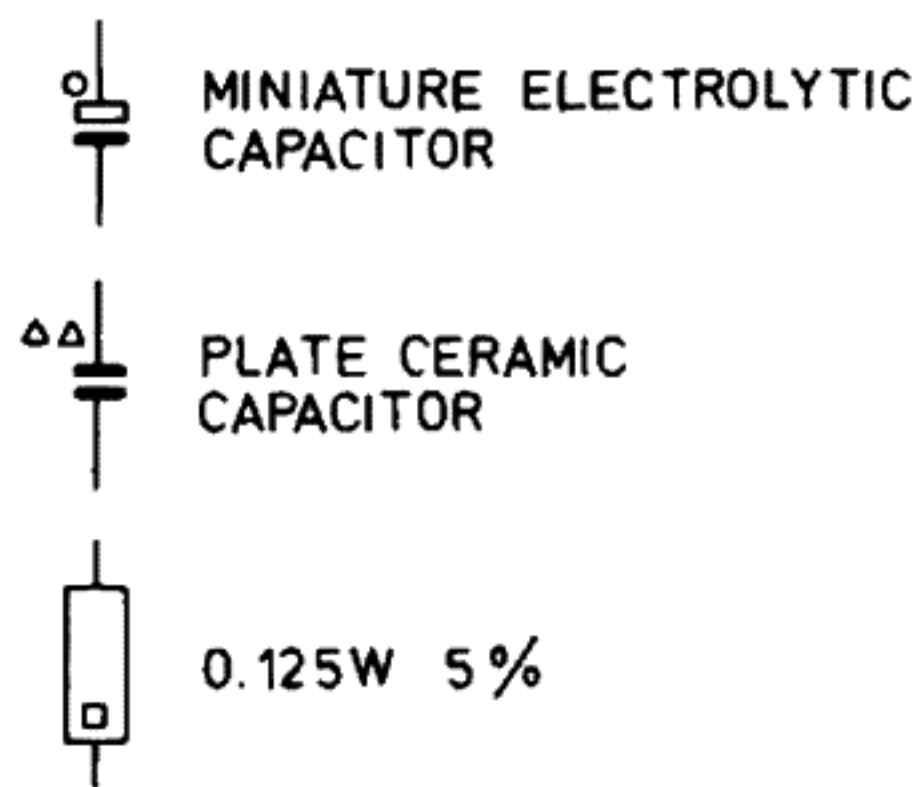


Fig. 1

T468	4822 145 30163	TS406	BC328	5322 130 44104	C605	220 μF - 10 V	4822 124 20589
F462	4822 252 20007	TS451	BC548B	5322 130 40937	C681	1000 μF - 16 V	4822 124 20524
SK2a	4822 290 80225	TS452	AC187	5322 130 40314	R501	1 MΩ log.	4822 105 10231
SK2b	4822 290 80226	D403-D404	OF156	4822 130 30265	R566	100 Ω	4822 101 20254
M	4822 361 70264	D474-D475	BY206	4822 130 30839	R571	4.8 Ω	4822 157 50746
S426	AD4070/Y8	D476	BAX18	5322 130 34121			
TS401	BC548C	C601	15 μF - 16 V	4822 124 20467			
TS402	BC558B	C603	47 μF - 10 V	4822 124 20461			
TS405	BC338						

MISC	T468	F462	TS401,402,405	SK-1	TS406	D403,404	D474,475	TS451	M	TS452	S426	D476	SK-2						
C		603	602	604		601	681	605											
R		505	506	509	511	504	512	502	508	507	510	503	501	567	569	570	571	566	568

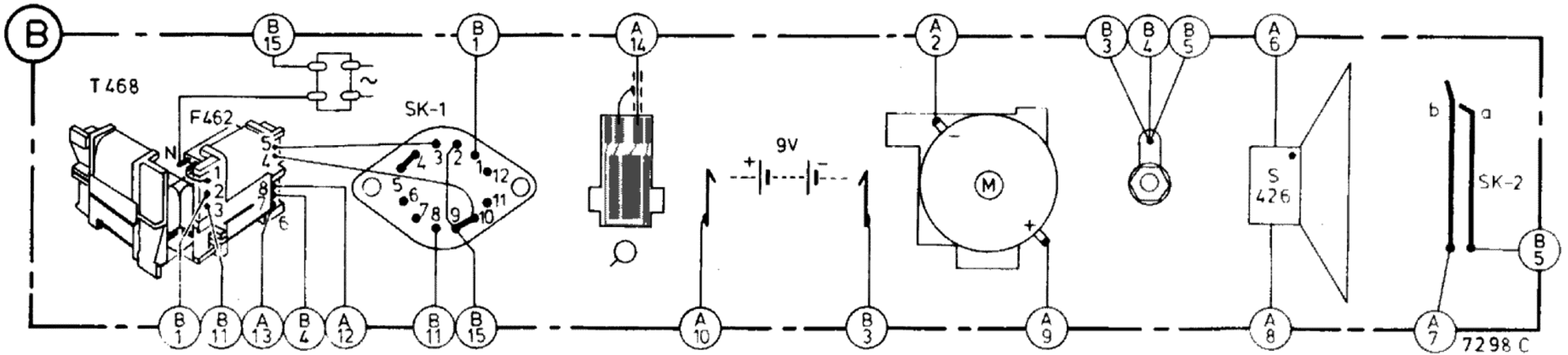
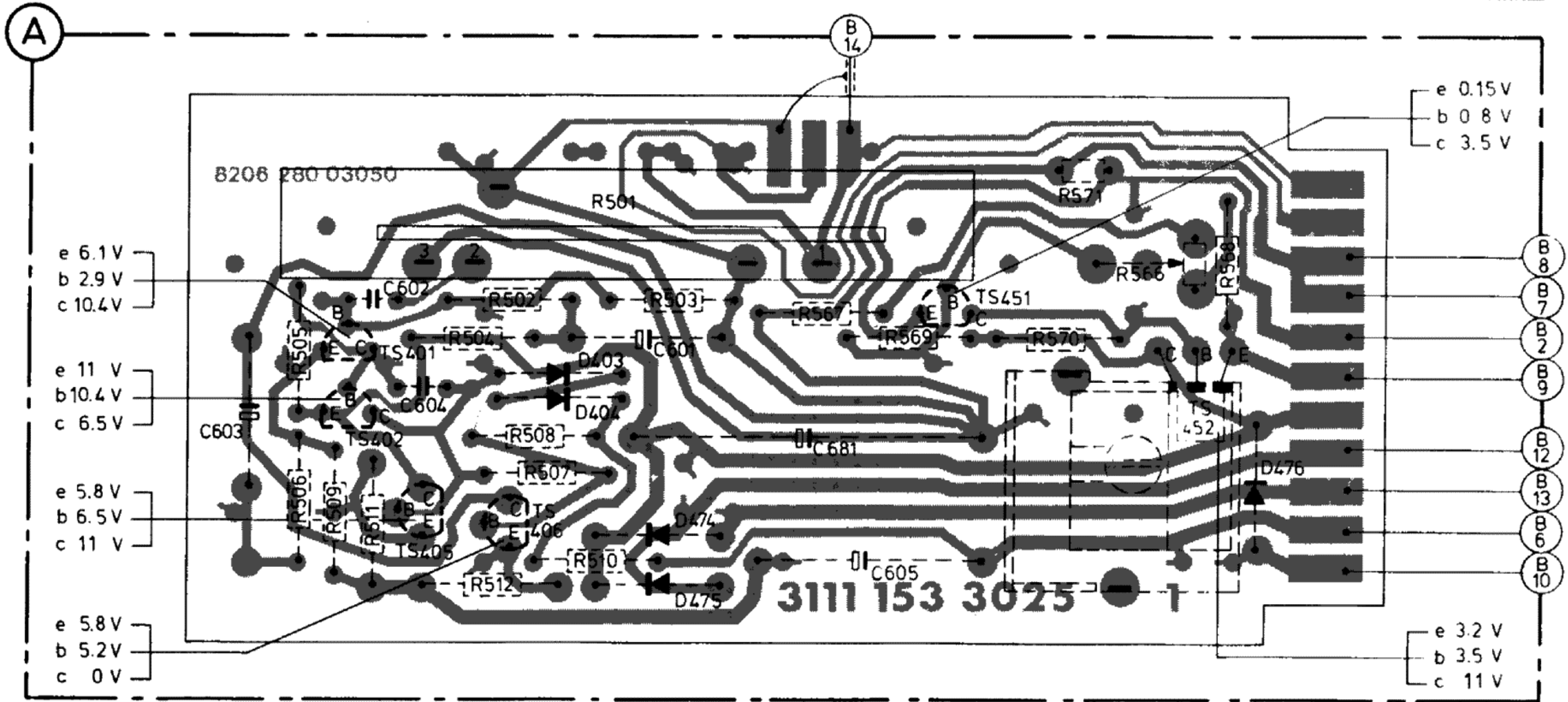
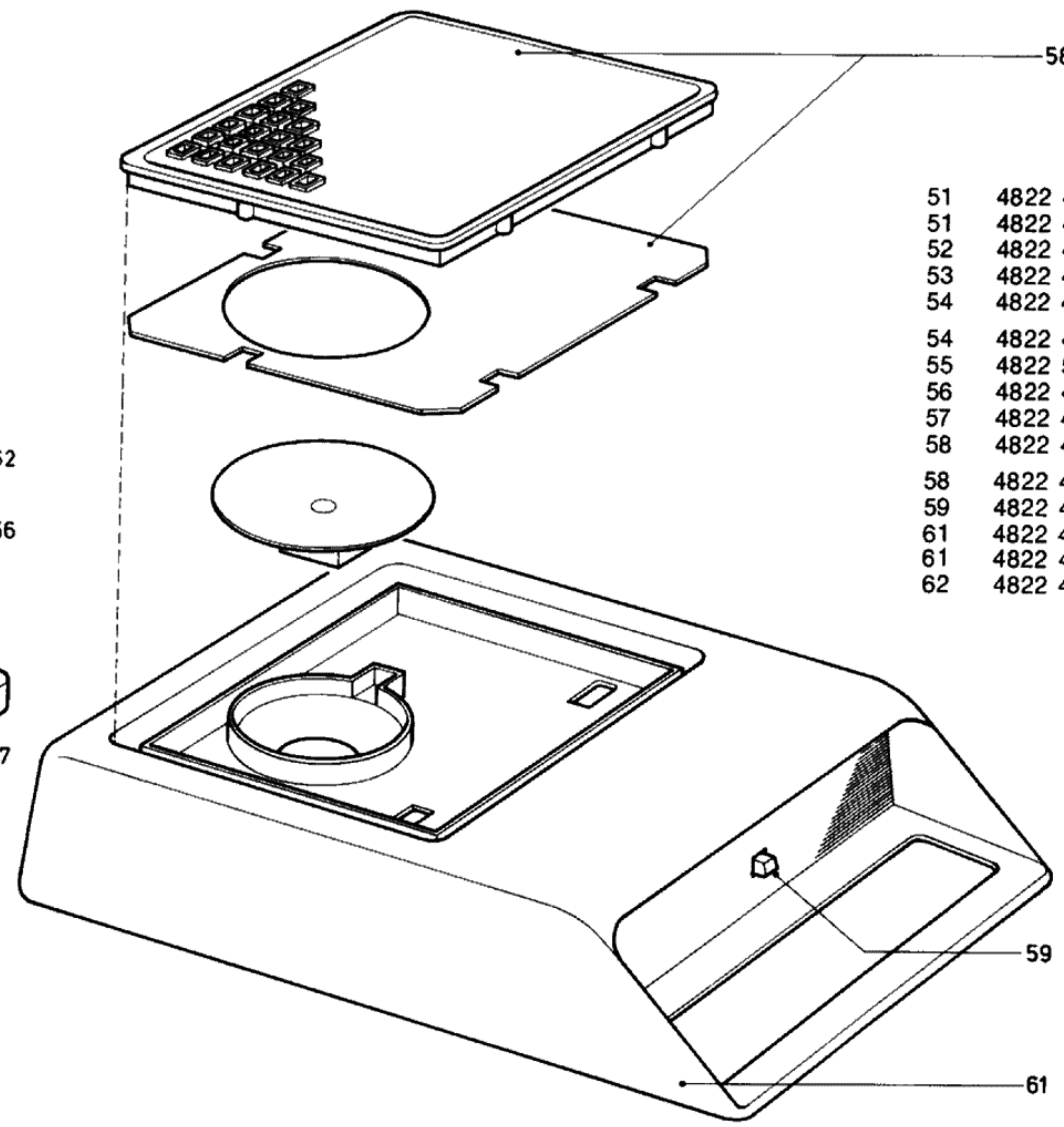
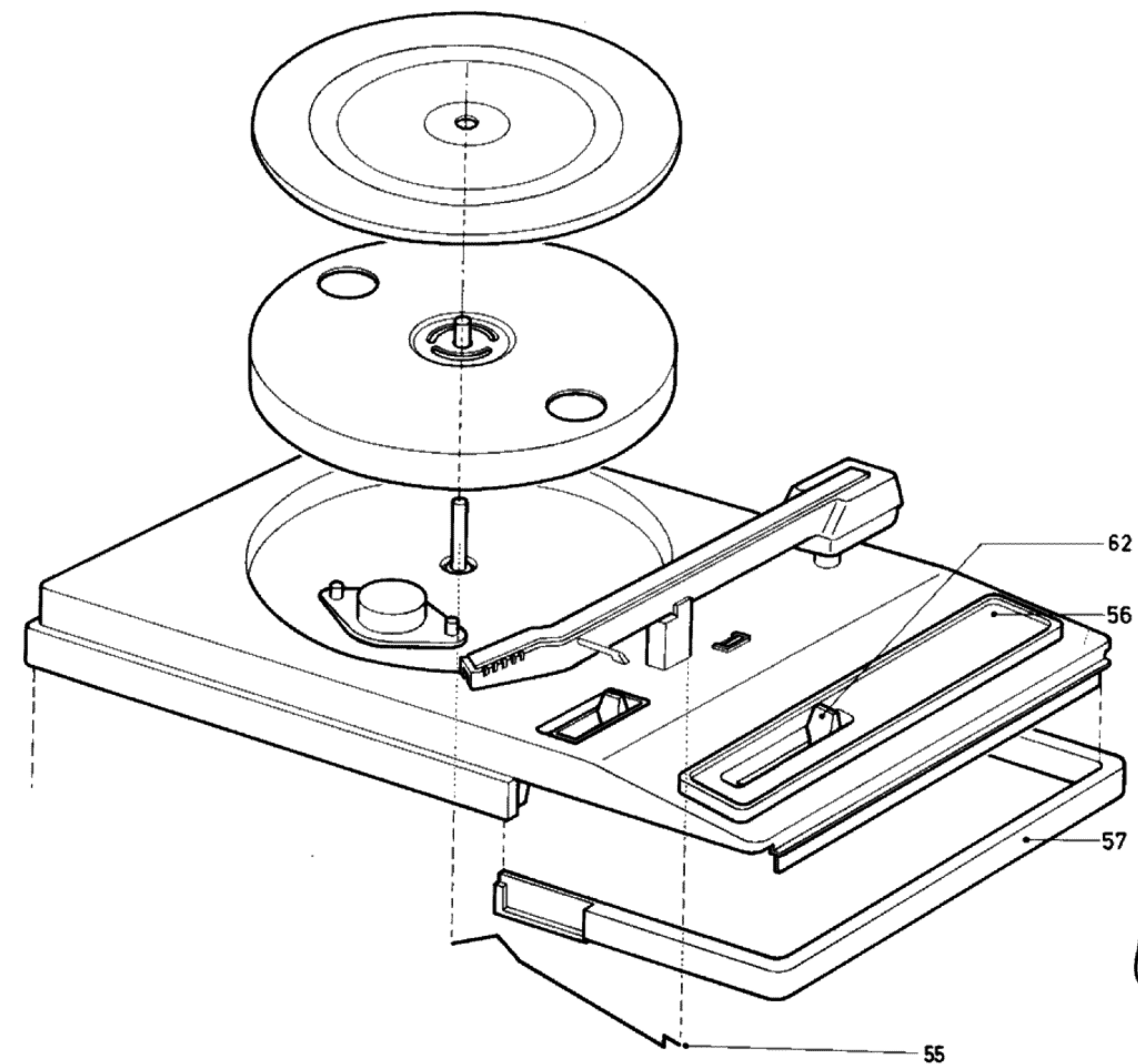


Fig. 2





51	4822	444	60328	yellow (E-version)
51	4822	444	60322	red (L-version)
52	4822	492	61841	
53	4822	492	62015	
54	4822	444	60329	yellow (E-version)
54	4822	444	60323	red (L-version)
55	4822	535	90988	
56	4822	454	30235	
57	4822	498	40374	
58	4822	444	60331	yellow (E-version)
58	4822	444	60326	red (L-version)
59	4822	402	60514	
61	4822	444	20187	yellow (E-version)
61	4822	444	20185	red (L-version)
62	4822	411	10033	

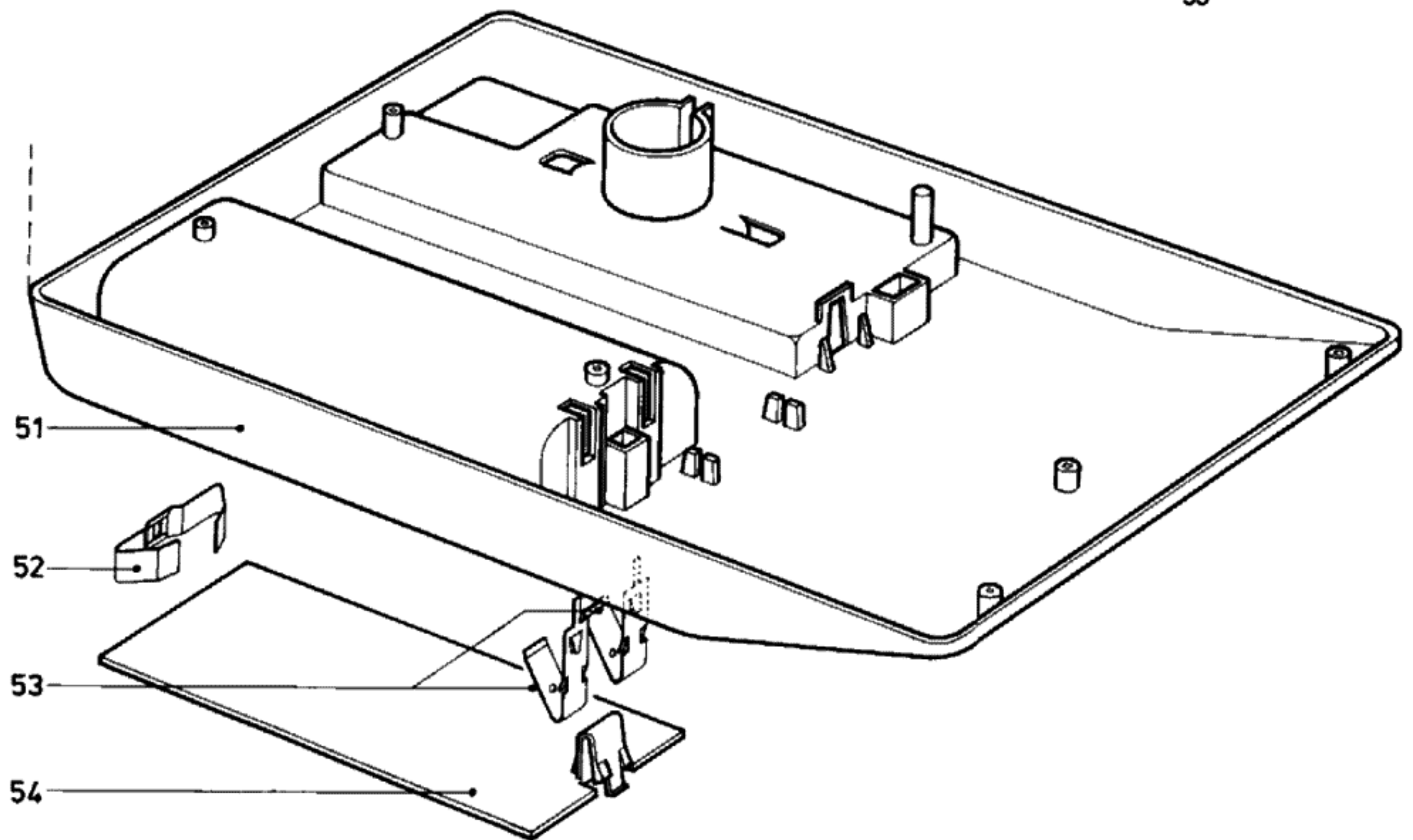


Fig. 3